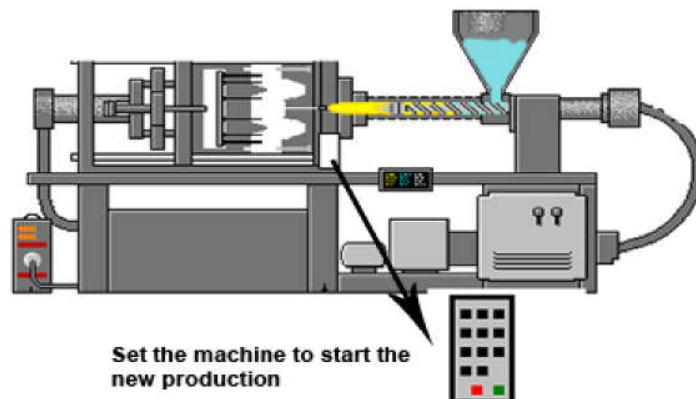
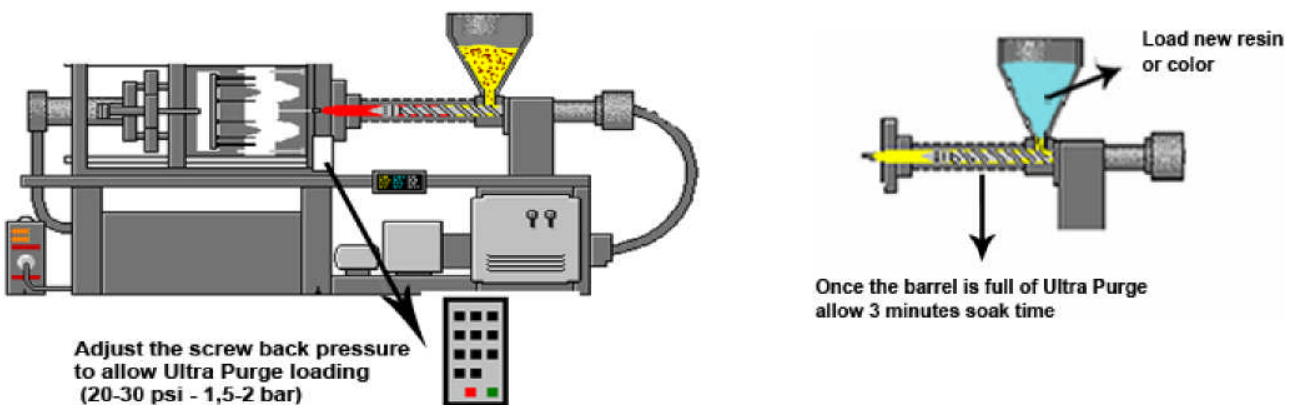
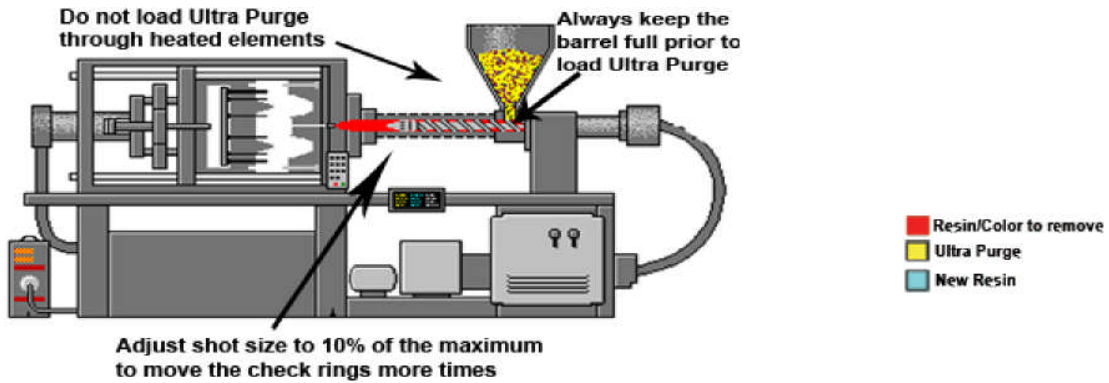




ULTRA PURGE
Purging Compound Ready-to-use
Directions for Use with Injection Molding Machines



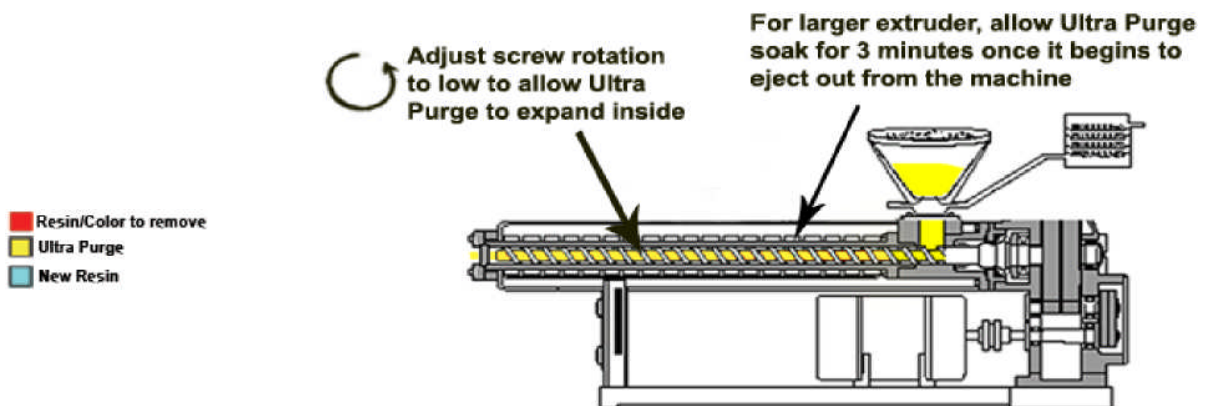
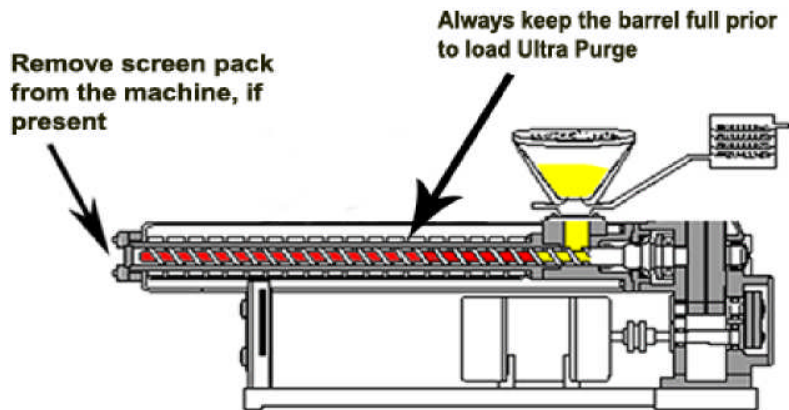
Use with Hot runners:

For this application please see the hot runners procedures on our web site www.SynergyPolymersOnline.com or call 805-498-8185.

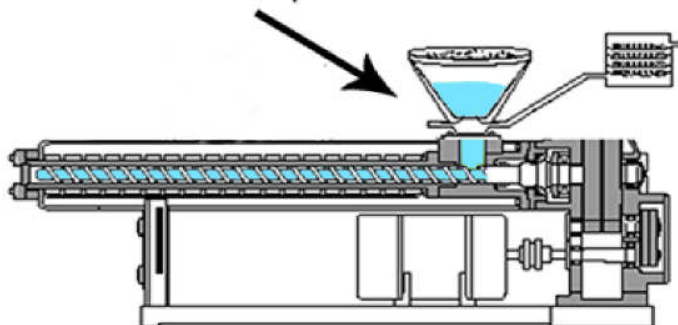


ULTRA PURGE Purging Compound Ready-to-use

Directions for Use with Extruders



When the previously loaded quantity of Ultra Purge is used up load the machine with the next production material



Safety: Purging should be performed with purge guards closed and proper face shield, gloves and long sleeve clothing.